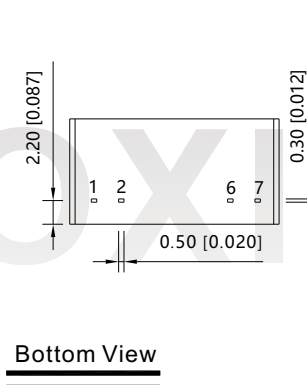
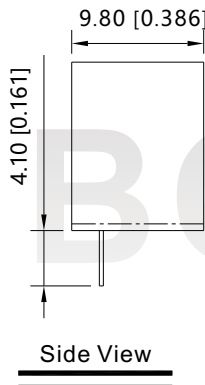
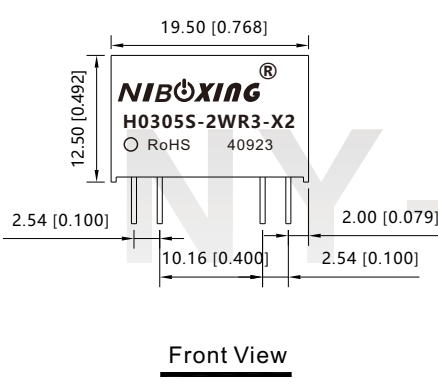


2W DC/DC module power supply
FEATURES


- ★ Compact size, high power density
- ★ Operating temperature range: -40°C to +85°C
- ★ No-load input current as low as 5mA
- ★ I/O isolation test voltage 6000VDC
- ★ Low ripple & noise
- ★ RoHS Compliant
- ★ Industrial grade, high reliability

HxxxxS-2WR3-X2 series are specially designed for applications where an isolated voltage is required in a distributed power supply system. They are suitable for: pure digital circuits, low frequency analog circuits, relay-driven circuits and data switching circuits.

Dimensions


PIN	Function
1	+Vi
2	-Vi
6	-Vo
7	+Vo

Note:
Unit:mm[inch]
General tolerances:±0.50[±0.020]

product types choosing

model	input voltage range	Nominal output voltage / electricity (Vo / Io)	productiveness (Typ)	minimum output current	Maximum capacity load
H0303S-2W R3-X2		3.3V/600mA	81%	30mA	10uF
H0305S-2W R3-X2	2.97~3.63V	5V/400mA	81%	20mA	10uF
H0312S-2W R3-X2	(Nominal: 12VDC)	12V/166mA	82%	9mA	4.7uF
H0315S-2W R3-X2	3.3VDC)	15V/133mA	78%	7mA	2.2uF
H0324S-2W R3-X2		24V/83mA	82%	4mA	1uF
H0503S-2W R3-X2		3.3V/600mA	81%	30mA	10uF
H0505S-2W R3-X2	4.5~5.5V	5V/400mA	81%	20mA	10uF
H0512S-2W R3-X2	(Nominal: 5VDC)	12V/166mA	82%	9mA	4.7uF
H0515S-2W R3-X2		15V/133mA	78%	7mA	2.2uF
H0524S-2W R3-X2		24V/83mA	82%	4mA	1uF
H1203S-2W R3-X2		3.3V/600mA	81%	30mA	10uF
H1205S-2W R3-X2	10.8~13.2V	5V/400mA	83%	20mA	10uF
H1212S-2W R3-X2	(Nominal: 12VDC)	12V/166mA	79%	9mA	4.7uF
H1215S-2W R3-X2		15V/133mA	80%	7mA	2.2uF
H1224S-2W R3-X2		24V/83mA	81%	4mA	1uF

H1503S-2WR3-X2	13.5~16.5V (标称: 15VDC)	3.3V/600mA	81%	30mA	10uF
H1505S-2WR3-X2		5V/400mA	79%	20mA	10uF
H1512S-2WR3-X2		12V/166mA	83%	9mA	4.7uF
H1515S-2WR3-X2		15V/133mA	82%	7mA	2.2uF
H1524S-2WR3-X2		24V/83mA	79%	4mA	1uF
H2403S-2WR3-X2	21.6~26.4V (标称: 24VDC)	3.3V/600mA	81%	30mA	10uF
H2405S-2WR3-X2		5V/400mA	80%	20mA	10uF
H2412S-2WR3-X2		12V/166mA	81%	9mA	4.7uF
H2415S-2WR3-X2		15V/133mA	82%	7mA	2.2uF
H2424S-2WR3-X2		24V/83mA	80%	4mA	1uF

Output Specification

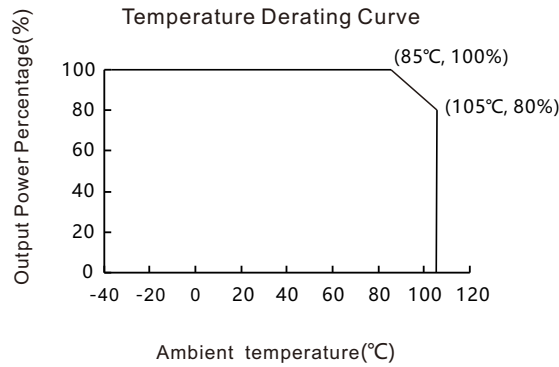
project	going	Min	Typ	Max
output power		0.1W	--	--
Output voltage accuracy	Input voltage range, 100% load	-7.5%	--	+2.5%
voltage regulation	Under rated load, input voltage voltage ± 1%	--	±1.5%	--
load regulation	10% to 100% load	--	15%	20%
Output ripple noise ^①	20 MHz bandwidth (peak-peak)	--	150mV	200mV
Temperature drift coefficient	Nominal voltage input, 100% load, -40°C ~ + 85°C	--	--	±0.03%/°C

* pour:①The test method of ripple noise adopts the parallel line test method, and please refer to the "DC-DC Module Power Supply Application Guide" for the specific operation method.

General Specifications

project	going	Min	Typ	Max
Insulation and pressure resistance	Input-output, with a test time of 60s	6000VDC	--	--
working temperature		-40°C	--	+85°C
Storage temperature		-55°C		+105°C
Store humidity		--	--	95%RH
switching frequency		--	100KHz	--
MTBF	MIL-HDBK-217F, 25°C		3500,000h	
Module shell material		Black flame retardant heat resistant plastic (UL 94-V0)		

Product Characteristic Curve



Design Reference

1 Typical application

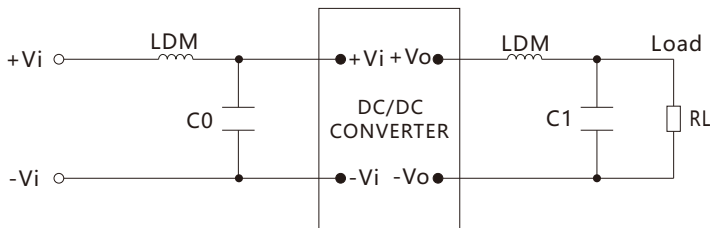


Figure [1] Typical application circuit

Note

a. Ceramic capacitor or electrolytic capacitor is recommended for external capacitor of product input or output. Tantalum capacitors are not recommended, otherwise there is a certain failure risk.

b. The product does not support output and joint power or hot plug

输入电压	3.3V	5V	12V	15V	24V
C0	4.7μF	4.7μF	2.2μF	2.2μF	1μF

输出电压	3.3V	5V	12V	15V	24V
C1	10μF	10μF	4.7μF	2.2μF	1μF

LDM	6.8μH
-----	-------

Safety precautions

1. If the product is not operated within the required load range, the product performance cannot be guaranteed to comply with all parameters in the datasheet;
2. Unless otherwise specified, parameters in this datasheet were measured under the conditions of $T_a=25^{\circ}\text{C}$, humidity < 75% with nominal input voltage and rated output load;
3. All index testing methods in this datasheet are based on our Company's corporate standards;
4. We can provide product customization service, please contact our technicians directly for specific information;
5. For more product information, please visit our official website (www.gzny-boxing.com) or email us (sales@gzny-boxing.com).