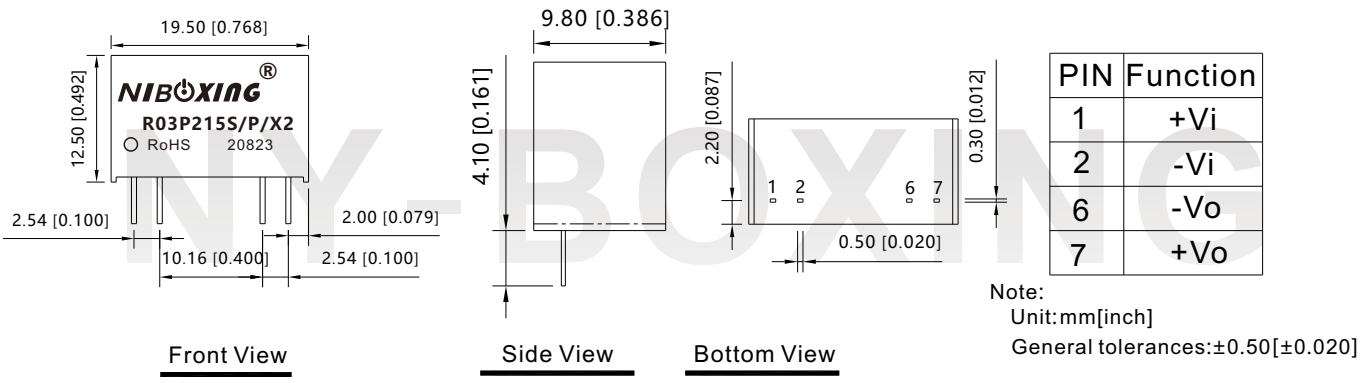


2W DC/DC module power supply
FEATURES


- ★ Compact size, high power density
- ★ Operating temperature range: -40°C to +85°C
- ★ No-load input current as low as 5mA
- ★ I/O isolation test voltage 6000VDC
- ★ Low ripple & noise
- ★ RoHS Compliant
- ★ Industrial grade, high reliability

HxxxxS-2WR3-X2 series are specially designed for applications where an isolated voltage is required in a distributed power supply system. They are suitable for: pure digital circuits, low frequency analog circuits, relay-driven circuits and data switching circuits.

Dimensions

product types choosing

model	input voltage range	Nominal output voltage / electricity (Vo / Io)	productiveness (Typ)	minimum output current	Maximum capacity load
R03P203S/P/X2	2.97~3.63V (Nominal: 3.3VDC)	3.3V/600mA	81%	30mA	10uF
R03P205S/P/X2		5V/400mA	81%	20mA	10uF
R03P212S/P/X2		12V/166mA	82%	9mA	4.7uF
R03P215S/P/X2		15V/133mA	78%	7mA	2.2uF
R03P224S/P/X2		24V/83mA	82%	4mA	1uF
R05P203S/P/X2	4.5~5.5V (Nominal: 5VDC)	3.3V/600mA	81%	30mA	10uF
R05P205S/P/X2		5V/400mA	81%	20mA	10uF
R05P212S/P/X2		12V/166mA	82%	9mA	4.7uF
R05P215S/P/X2		15V/133mA	78%	7mA	2.2uF
R05P224S/P/X2		24V/83mA	82%	4mA	1uF
R12P203S/P/X2	10.8~13.2V (Nominal: 12VDC)	3.3V/600mA	81%	30mA	10uF
R12P205S/P/X2		5V/400mA	83%	20mA	10uF
R12P212S/P/X2		12V/166mA	79%	9mA	4.7uF
R12P215S/P/X2		15V/133mA	80%	7mA	2.2uF
R12P224S/P/X2		24V/83mA	81%	4mA	1uF

R15P203S/P/X2		3.3V/600mA	81%	30mA	10uF
R15P205S/P/X2	13.5~16.5V	5V/400mA	79%	20mA	10uF
R15P212S/P/X2	(Nominal: 15VDC)	12V/166mA	83%	9mA	4.7uF
R15P215S/P/X2		15V/133mA	82%	7mA	2.2uF
R15P224S/P/X2		24V/83mA	79%	4mA	1uF
R24P203S/P/X2		3.3V/600mA	81%	30mA	10uF
R24P205S/P/X2	21.6~26.4V	5V/400mA	80%	20mA	10uF
R24P212S/P/X2	(Nominal: 24VDC)	12V/166mA	81%	9mA	4.7uF
R24P215S/P/X2		15V/133mA	82%	7mA	2.2uF
R24P224S/P/X2		24V/83mA	80%	4mA	1uF

Output Specification

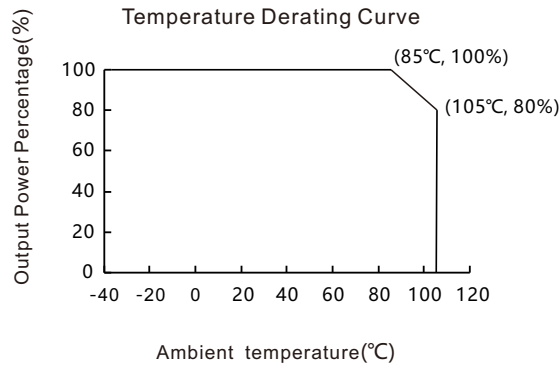
project	going	Min	Typ	Max
output power		0.1W	--	--
Output voltage accuracy	Input voltage range, 100% load	-7.5%	--	+2.5%
voltage regulation	Under rated load, input voltage voltage ± 1%	--	±1.5%	--
load regulation	10% to 100% load	--	15%	20%
Output ripple noise ^①	20 MHz bandwidth (peak-peak)	--	150mV	200mV
Temperature drift coefficient	Nominal voltage input, 100% load, -40°C ~ + 85°C	--	--	±0.03%/°C

* pour:①The test method of ripple noise adopts the parallel line test method, and please refer to the "DC-DC Module Power Supply Application Guide" for the specific operation method.

General Specifications

project	going	Min	Typ	Max
Insulation and pressure resistance	Input-output, with a test time of 60s	6000VDC	--	--
working temperature		-40°C	--	+85°C
Storage temperature		-55°C		+105°C
Store humidity		--	--	95%RH
switching frequency		--	100KHz	--
MTBF	MIL-HDBK-217F, 25°C		3500,000h	
Module shell material		Black flame retardant heat resistant plastic (UL 94-V0)		

Product Characteristic Curve



Design Reference

1 Typical application

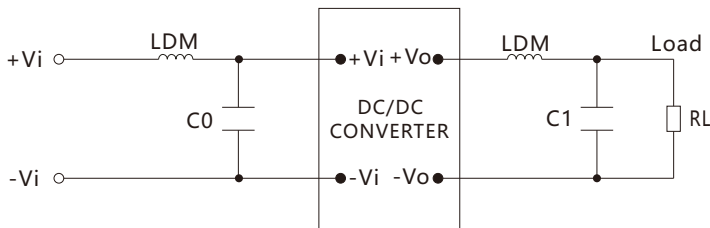


Figure [1] Typical application circuit

Note

a. Ceramic capacitor or electrolytic capacitor is recommended for external capacitor of product input or output. Tantalum capacitors are not recommended, otherwise there is a certain failure risk.

b. The product does not support output and joint power or hot plug

输入电压	3.3V	5V	12V	15V	24V
C0	4.7 μ F	4.7 μ F	2.2 μ F	2.2 μ F	1 μ F

输出电压	3.3V	5V	12V	15V	24V
C1	10 μ F	10 μ F	4.7 μ F	2.2 μ F	1 μ F

LDM	6.8 μ H
-----	-------------

Safety precautions

1. If the product is not operated within the required load range, the product performance cannot be guaranteed to comply with all parameters in the datasheet;
2. Unless otherwise specified, parameters in this datasheet were measured under the conditions of $T_a=25^\circ\text{C}$, humidity < 75% with nominal input voltage and rated output load;
3. All index testing methods in this datasheet are based on our Company's corporate standards;
4. We can provide product customization service, please contact our technicians directly for specific information;
5. For more product information, please visit our official website (www.gzny-boxing.com) or email us (sales@gzny-boxing.com).