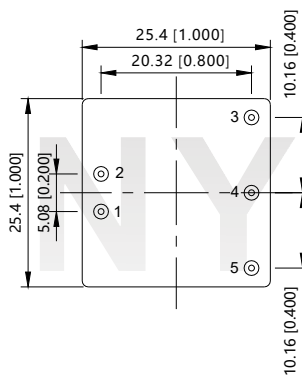
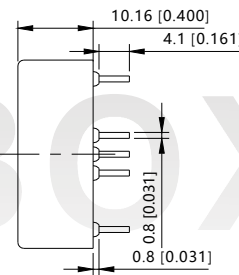


**6W DC/DC Module Power Supply**
**FEATURES**


- ★ Compact size, high power density
- ★ Operating temperature range: -40°C to +85°C
- ★ No-load input current as low as 5mA
- ★ I/O isolation test voltage 1.5K VDC
- ★ Low ripple & noise
- ★ RoHS Compliant
- ★ Industrial grade, high reliability

BW06-Cxxxx series -----It is the 2:1 wide voltage input range provided by nyboxing for customers. Up to 88% Efficiency, 1500VDC isolated regulated power supply module, This product is widely used in medical treatment, industrial control, electric power, instrumentation, communication occasions, etc.

**Dimensions**

**Bottom View**

**Side View**

PIN	Function
1	-Vi
2	+Vi
3	+Vo
4	GND
5	-Vo

Note:  
 Unit:mm[inch]  
 General tolerances:±0.50[±0.020]  
 Pin:None

**Selection Guide**

Part No.	Input Voltage (VDC)	Nominal Output Voltage and Current	Efficiency (%) (Typ.) @ Full Load	Output Current (mA) (Min.)
BW06-C1205	9~18V (Typ: 12VDC)	±5V	±600mA	78%
BW06-C1209		±9V	±333mA	79%
BW06-C1212		±12V	±250mA	80%
BW06-C1215		±15V	±200mA	81%
BW06-C1224		±24V	±125mA	83%
BW06-C2405	18~36V (Typ: 24VDC)	±5V	±600mA	78%
BW06-C2409		±9V	±333mA	79%
BW06-C2412		±12V	±250mA	80%
BW06-C2415		±15V	±200mA	81%
BW06-C2424		±24V	±125mA	83%

BW06-C4805	36~75V (Typ: 48VDC)	±5V	±600mA	78%
BW06-C4809		±9V	±333mA	79%
BW06-C4812		±12V	±250mA	80%
BW06-C4815		±15V	±200mA	81%
BW06-C4824		±24V	±125mA	83%

### Output Specifications

Item	Operating Conditions	Min	Typ	Max
Output Power		0	--	6W
Output Voltage Accuracy	100% load	--	±2%	--
Line Regulation	Input voltage change: ±1%	--	±0.2%	--
Load Regulation	10%~100% Load	--	±0.5%	--
Ripple & Noise*	20MHz bandwidth (peak-to-peak value)	--	100mV	--
Temperature Drift Coefficient	100% load	--	--	±0.03%/°C

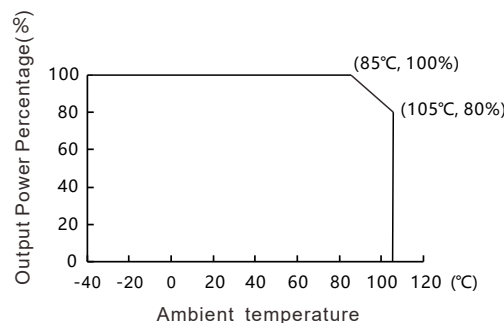
Note: \*Ripple and noise tested with "parallel cable" method, please see DC-DC Converter Application Notes for specific operation methods.

### General Specifications

Item	Operating Conditions	Min	Typ	Max
Insulation Voltage	Input-Output, Test for 1min	--	1500VDC	--
Operating Temperature		-40°C	--	+85°C
Storage Temperature		-55°C	--	+125°C
Storage Humidity		--	--	95%RH
Working Frequency		--	300KHz	--
MTBF	MIL-HDBK-217F, 25°C		3500,000h	
Casing Material		Metal aluminum shell		

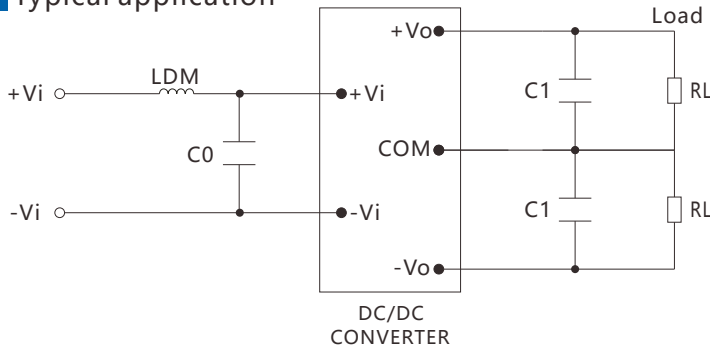
### Product Characteristic Curve

Temperature Derating Curve



## Design Reference

### 1 Typical application



#### Note

a. Ceramic capacitor or electrolytic capacitor is recommended for external capacitor of product input or output. Tantalum capacitors are not recommended, otherwise there is a certain failure risk.

b. The product does not support output and joint power or hot plug

Input Voltage	12V	24V	48V
C0	100 $\mu$ F	47 $\mu$ F	47 $\mu$ F

Output Voltage	$\pm$ 5V	$\pm$ 9V	$\pm$ 12V	$\pm$ 15V	$\pm$ 24V
C1	10 $\mu$ F	10 $\mu$ F	10 $\mu$ F	10 $\mu$ F	10 $\mu$ F

LDM	6.8 $\mu$ H
-----	-------------

## Safety precautions

1. If the product is not operated within the required load range, the product performance cannot be guaranteed to comply with all parameters in the datasheet;
2. Unless otherwise specified, parameters in this datasheet were measured under the conditions of  $T_a=25^{\circ}\text{C}$ , humidity $<75\%$  with nominal input voltage and rated output load;
3. All index testing methods in this datasheet are based on our Company's corporate standards;
4. We can provide product customization service, please contact our technicians directly for specific information;
5. For more product information, please visit our official website [www.gzny-boxing.com](http://www.gzny-boxing.com) or email us ( [sales@gzny-boxing.com](mailto:sales@gzny-boxing.com) ).