

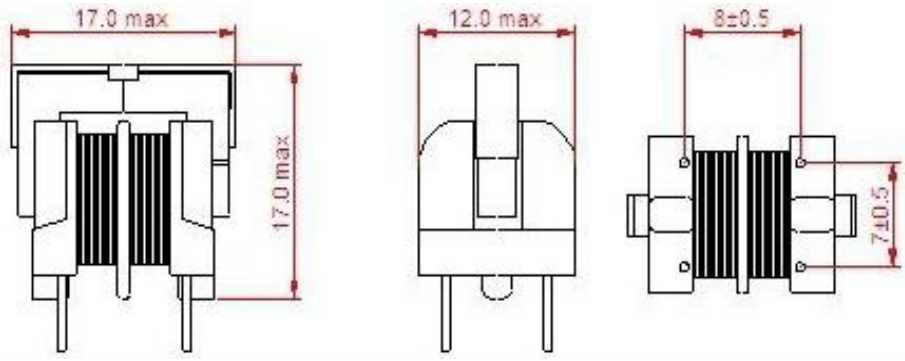
广州尼博星电子科技有限公司
Guangzhou Nyboxing Electronic Technology Co., Ltd

物料编码 Material encoding	116004	型号 Model	CMI UU9.8-20mH
---------------------------	--------	-------------	----------------

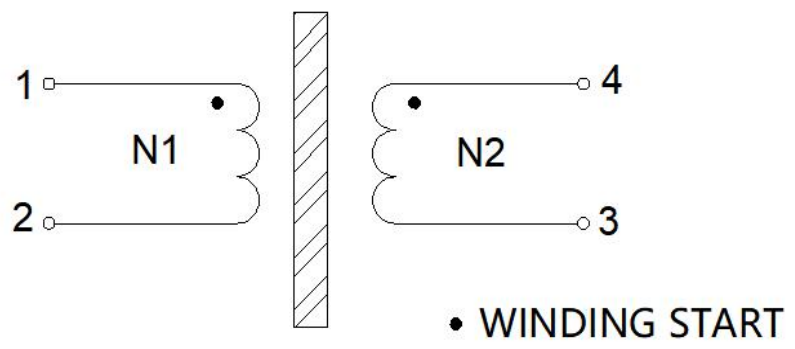
NO1. 物料清单 Bill Of Material

No.	物料名称 Name of material	规格型号 Specifications and models	制造商 Manufacturer	认证号 Certification number
1	BOBBIN	UU9.8	CHANGCHUN PLASTICS CO.,LTD	E59481
2	CORE	UU9.8	HAINING ZHONGXIN ELECTRONIC CO.,LTD.	/
3	WIRE	UEW MW79 155°C	ZHEJIANG HONGBO ELECTRIC WIRE Co., LTD	E221719
4	TAPE	PZ POLYESTER	JINGJIANG JINGYANG INSULATING PRODUCT CO., LTD.	E165111
5	VARNISH	T-4260	WUJIANG TAIHU INSULATION MATERIAL CO., Ltd.	E228349

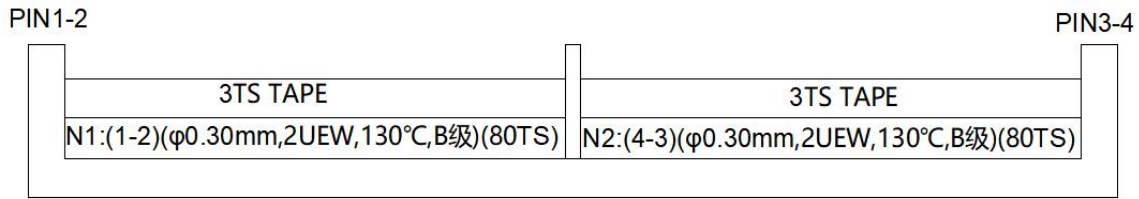
NO2.骨架尺寸图 Frame size chart



NO3.原理图 Schematic



NO3.绕线结构图 Winding structure



绕组 WDG	进线脚位 BEGINNING	进线套管 TEFLON TUBE	线材规格 WIRESIZE	匝数 TURNS	出线脚位 TERMINAL	出线套管 TEFLON TUBE	绝缘胶纸 层数 TAPE TURNS	备注 Remarks
N1	1脚	/	φ0.30mm , 2UEW, 130°C, B级	80TS	2脚	/	3层	均匀绕
N2	4脚	/	φ0.30mm , 2UEW, 130°C, B级	80TS	3脚	/	3层	均匀绕

NO4.工艺要要求 Process requirements

- ①The winding direction of each winding is uniform;
- ②The core is wrapped with 5mm insulating tape;
- ③The wire package needs to be wrapped with insulating tape;
- ④Products need to be immersed in vacuum;

NO5.电气性能Electric property

- ①Inductance (1-2) :20±20% μ H; Inductance (4-3) :5.0±8% μ H; 测试条件@10KHz/1.0V/25°C;
- ②Inductance (1-2) & (4-3) <300 μ H;